

VSL-12c LOW PRESSURE PUMP

AIR CONSUMPTION : 84 Nlit per min
at 5 BAR.

WORKING PRESSURE : 3.1 BAR.

MAX SUPPLY PRESSURE : 6 BAR.

MAX VACUUM : -0.90 BAR at 3.1 BAR.

MAX VACUUM FLOW : 252 lit per min.

WORKING TEMP. : -20°C + 100°C.

WEIGHT : 135 g.

NOISE LEVEL : 65 db(A) full flow,
60 db(A) full vacuum.

MATERIALS : Epoxy painted AL, brass,
silicon rub, neoprene, stainless steel.

VSL-16c LOW PRESSURE PUMP

AIR CONSUMPTION : 112 Nlit per min
at 5 BAR.

WORKING PRESSURE : 3.1 BAR.

MAX SUPPLY PRESSURE : 6 BAR.

MAX VACUUM : -0.90 BAR at 3.1 BAR.

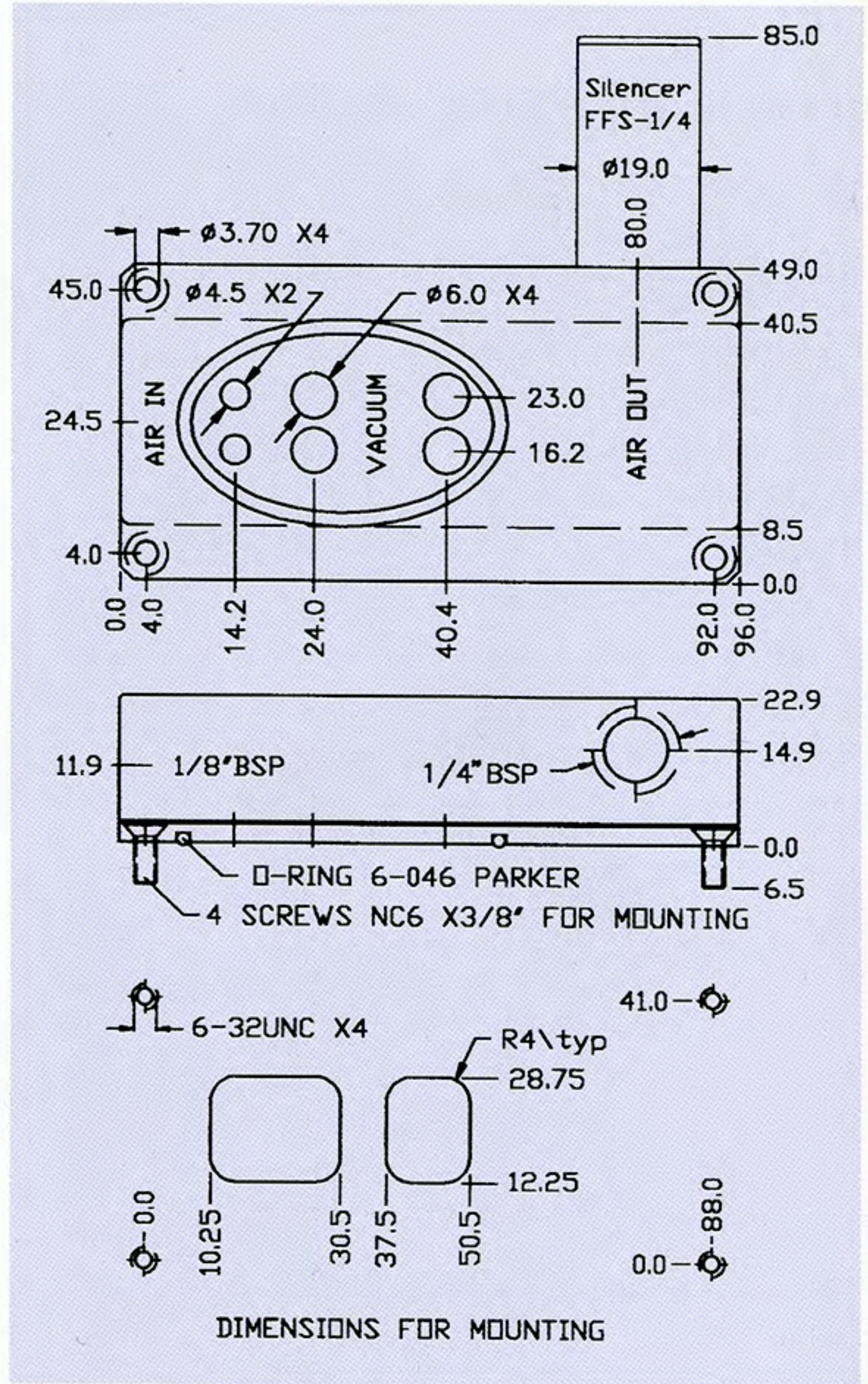
MAX VACUUM FLOW : 336 lit per min.

WORKING TEMP. : -20°C + 100°C.

WEIGHT : 140 g.

NOISE LEVEL : 65 db(A) full flow,
60 db(A) full vacuum.

MATERIALS : Epoxy painted AL, brass,
silicon rub, neoprene, stainless steel.



NOTE:

VSL 12c/16c Pumps are often used as a part of the vacuum clamping on the machine.

vacuum in - BAR	0.1	0.2	0.3	0.4	0.5	0.6	0.7	0.8	vacuum in - BAR	0	0.1	0.2	0.3	0.4	0.5	0.6	0.7	0.8		
time in sec for evacuation of 1 lit to vac' level	VSL - 12c	.03	.09	.18	.38	.63	1	1.47	2.4	induced air in lit per min.	VSL - 12c	252	108	80	48	33	25	17	11	5
	VSL - 16c	.02	.06	.12	.25	.42	.65	1	1.6		VSL - 16c	336	144	106	64	44	34	23	14	6.8

