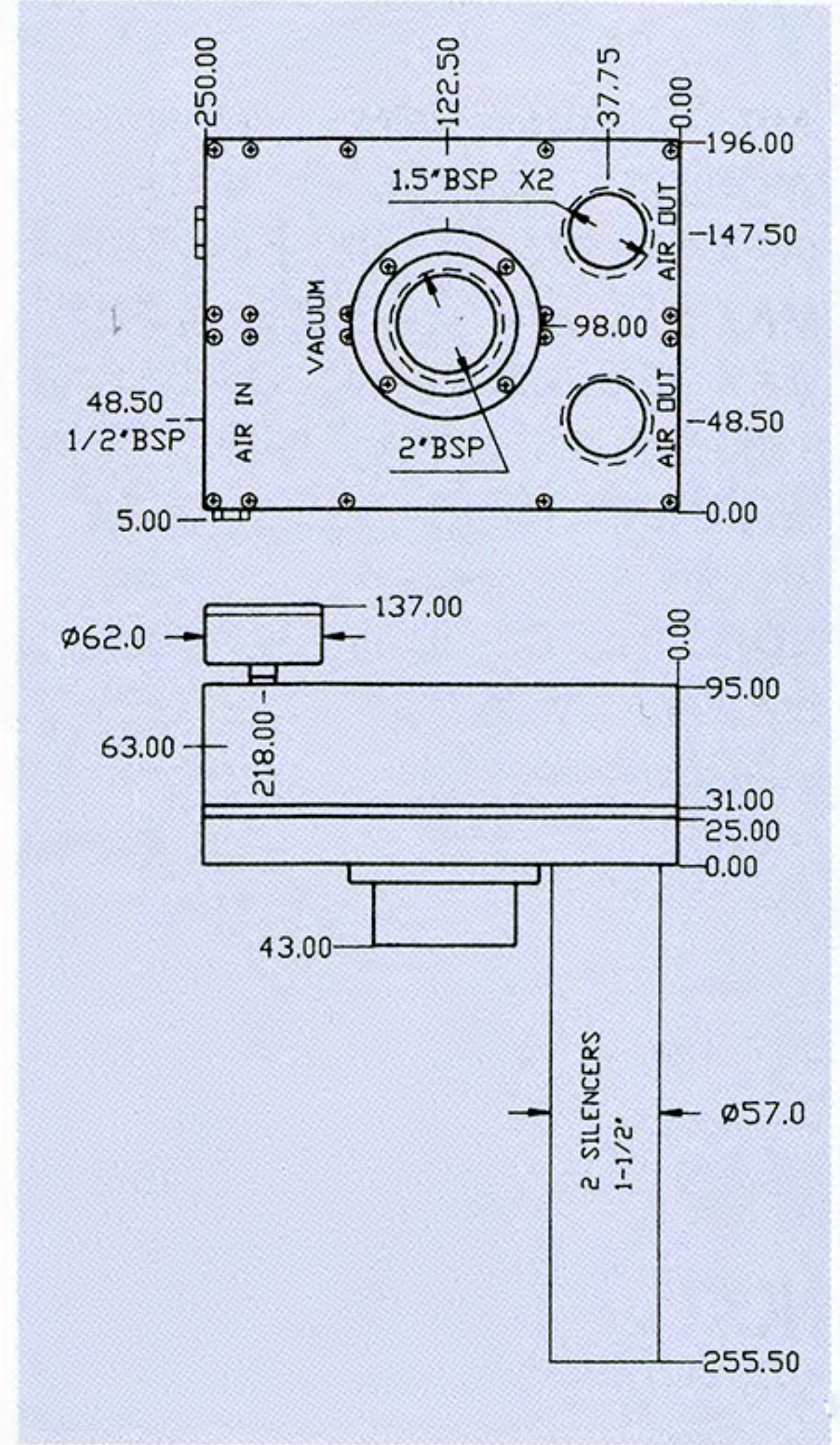


VIP-96 INTENSIVITY VACUUM PUMP

- AIR CONSUMPTION** : 1500 lit per min at 4 BAR.
- WORKING PRESSURE** : 4 BAR.
- MAX SUPPLY PRESSURE** : 7 BAR.
- MAX VACUUM** : -0.9 BAR at 4 BAR
- MAX VACUUM FLOW** : 4800 Nlit per min at 6 BAR,
3800 Nlit per min at 4 BAR.
- WORKING TEMP.** : -20°C + 80°C.
- WEIGHT** : 6500 g.
- NOISE LEVEL** : 75 db(A) full flow,
55 db(A) full vacuum.
- MATERIALS** : Epoxy painted AL, brass,
silicon rub, neoprene, stainless steel.

NOTE:

VIP Pumps are often used for handling materials or clamping small parts. When needed high evacuation flow and deep vacuum us needed. It cuts time for volume evacuation.



AIR AT 4 BAR

vacuum in - BAR	0	0.1	0.2	0.3	0.4	0.5	0.6	0.7	0.9
time in sec for evacuation of 1 lit to vac' level	-	1.5	5	15	25	45	85	120	700

vacuum in - BAR	0	0.1	0.2	0.3	0.4	0.5	0.6	0.7	0.8
induced air in lit per min.	3800	2590	1440	648	348	300	240	156	78

