

VIP-32 INTENSIVITY VACUUM PUMP

AIR CONSUMPTION : 500 lit per min at 4 BAR.

WORKING PRESSURE : 4 BAR.

MAX SUPPLY PRESSURE : 7 BAR.

MAX VACUUM : -0.9 BAR at 4 BAR

MAX VACUUM FLOW : 1800 Nlit per min

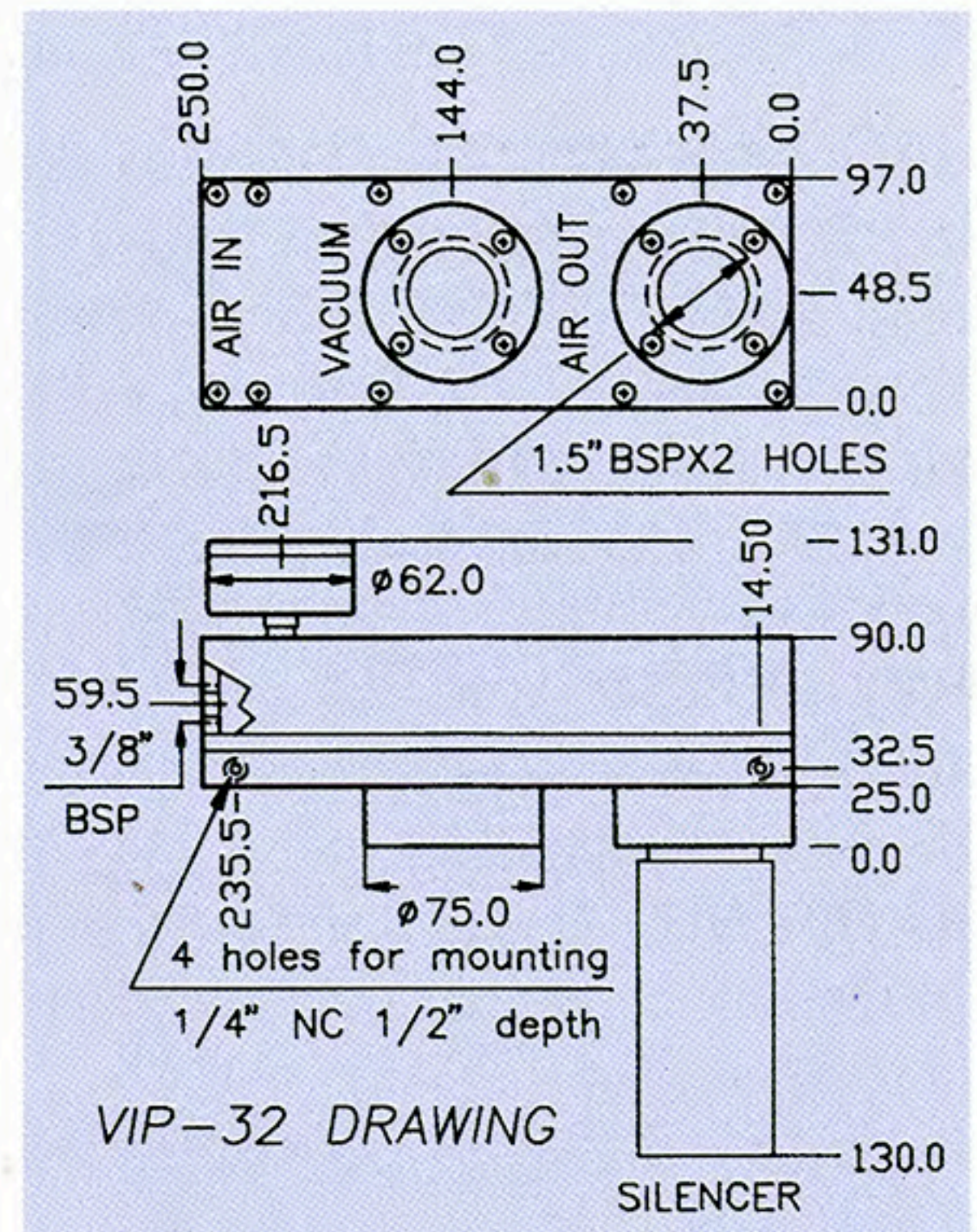
at 6 BAR, 1400 Nlit per min at 4 BAR.

WORKING TEMP. : -20°C + 80°C.

WEIGHT : 3500 g.

NOISE LEVEL : 75 db(A) full flow,
55 db(A) full vacuum.

MATERIALS : Epoxy painted AL, brass,
silicon rub, neoprene, stainless steel.



NOTE:

VIP Pumps are often used for handling materials or clamping small parts. When needed high evacuation flow and deep vacuum is needed. It cuts time for volume evacuation.

AIR AT 4 ATM

vacuum in - BAR	0	0.1	0.2	0.3	0.4	0.5	0.6	0.7	0.9
time in sec for evacuation of 1 lit to vac' level VIP - 32	-	.004	.002	0.04	0.08	0.13	0.25	0.35	2

vacuum in - BAR	0	0.1	0.2	0.3	0.4	0.5	0.6	0.7	0.8
induced air in lit per min. VIP - 32	1400	980	480	220	120	100	80	52	27

