

VLP-32 LOW VACUUM PUMP

AIR CONSUMPTION :500-700 lit per min.

WORKING PRESSURE : 4-6 BAR.

MAX SUPPLY PRESSURE : 7 BAR.

MAX VACUUM : -0.7 BAR at 5-6 BAR.

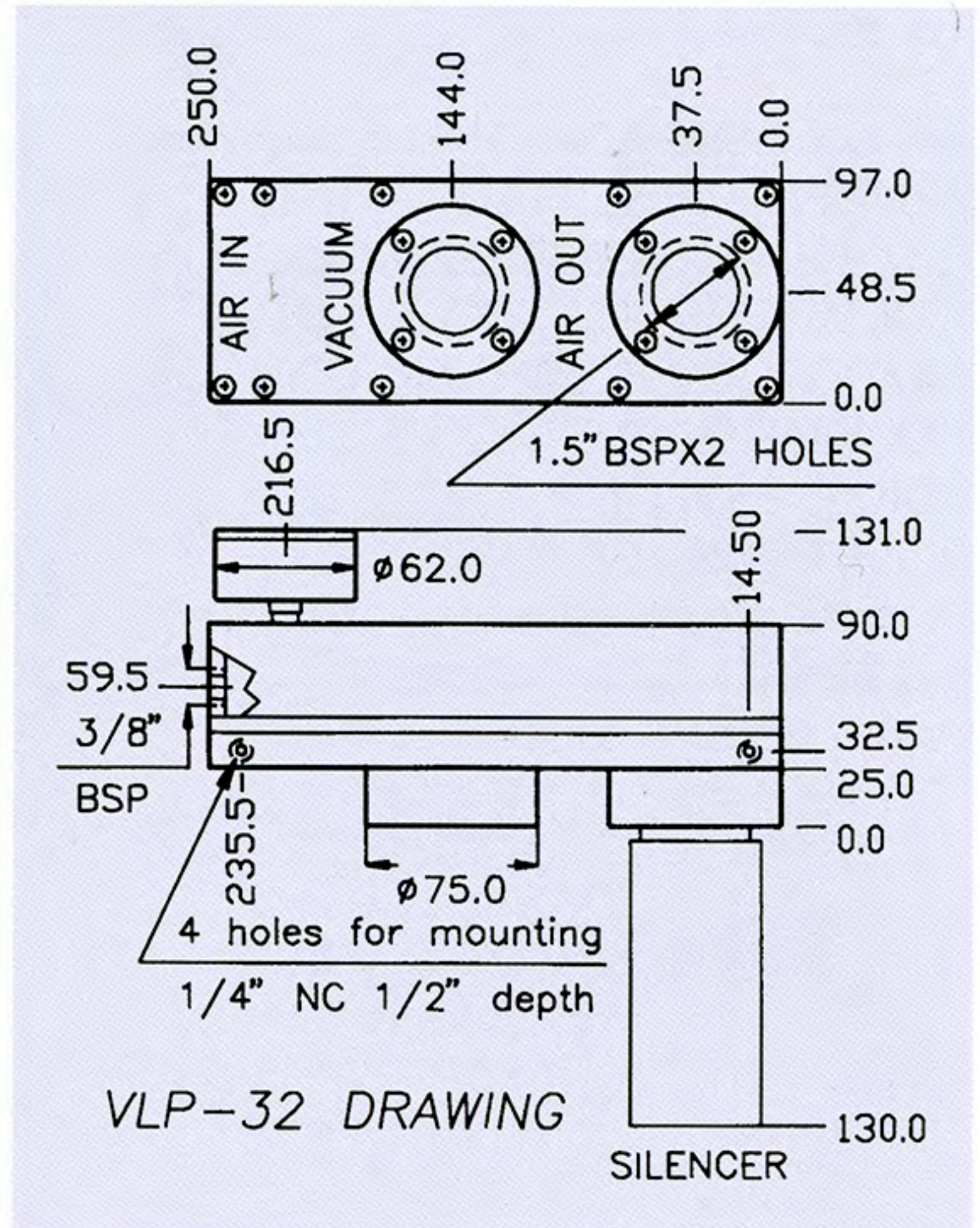
MAX VACUUM FLOW : 2100 lit per min.

WORKING TEMP. : -10°C + 100°C.

WEIGHT : 2800 g.

NOISE LEVEL : 75 db(A) full flow,
55 db(A) at max vacuum.

MATERIALS : Epoxy painted AL,
brass, neoprene, stainless steel.



NOTE:

VLP Pumps are often used for high flow vacuum needs in porous materials, cartons, and pressed wood.

AIR AT 6 BAR

vacuum in - BAR	0	0.1	0.2	0.3	0.4	0.5	0.6	0.7
time in sec for evacuation of 1 lit' to vac' level	-	0.003	0.01	0.02	0.04	0.06	0.1	0.18
induced air in lit per min.	2100	1360	840	520	360	300	200	-

