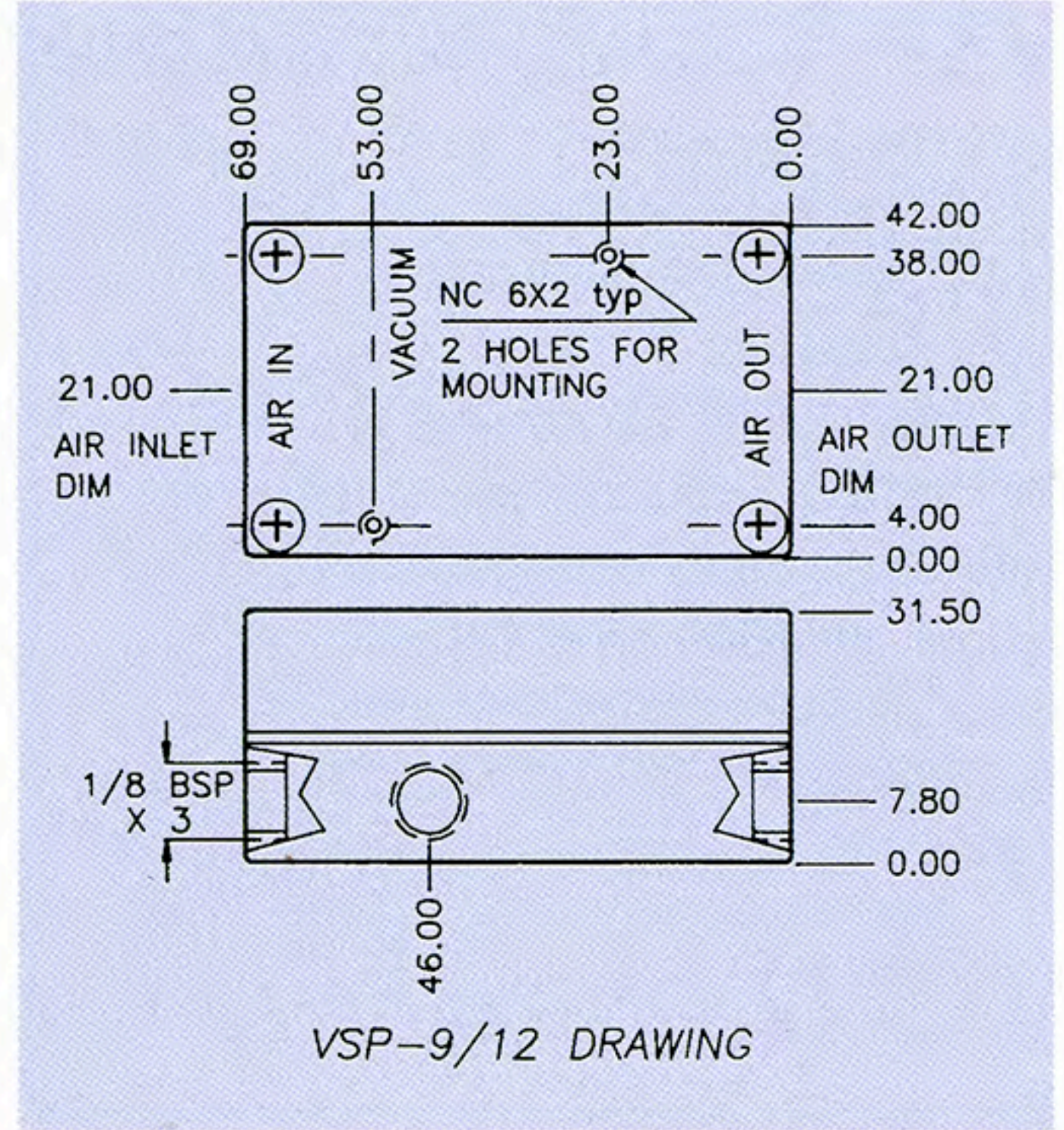


VSP-9 SMALL VACUUM PUMP

AIR CONSUMPTION : 48 lit per min at 4 BAR.
WORKING PRESSURE : 4 BAR.
MAX SUPPLY PRESSURE : 7 BAR.
MAX VACUUM : -0.87 ATM at 4 BAR.
MAX VACUUM FLOW : 84 lit per min.
WORKING TEMP. : -20°C + 100°C.
WEIGHT : 150 g.
NOISE LEVEL : 65 db(A) full flow,
 50 db(A) full vacuum.
MATERIALS : Epoxy painted AL, brass,
 silicon rub, neoprene, stainless steel.



VSP-12 SMALL VACUUM PUMP

AIR CONSUMPTION : 60 lit per min.
WORKING PRESSURE : 4 BAR.
MAX SUPPLY PRESSURE : 7 BAR.
MAX VACUUM : -0.87 ATM at 4 BAR.
MAX VACUUM FLOW : 110 lit per min.
WORKING TEMP. : -20°C + 100°C.
WEIGHT : 155 g.
NOISE LEVEL : 65 db(A) full flow,
 50 db(A) full vacuum.
MATERIALS : Epoxy painted AL, brass,
 silicon rub, neoprene, stainless steel.

NOTE:

VSP Pumps are often used for handling materials or clamping small parts. They can be used with several suction cups. Try to minimize the distance between pump and cup.

vacuum in - BAR	0.1	0.2	0.3	0.4	0.5	0.6	0.7
time in sec for evacuation of 1 lit to vac' level	VSP - 9 0.1	0.25	0.7	1.2	1.6	2.5	4.2
	VSP - 12 0.08	0.2	0.55	0.9	1.3	2	3.3

vacuum in - BAR	0	0.1	0.2	0.3	0.4	0.6	0.8
induced air in lit per min.	VSP - 9 82	43	30	20	11	6	1.5
	VSP - 12 110	58	40	27	15	8	2

