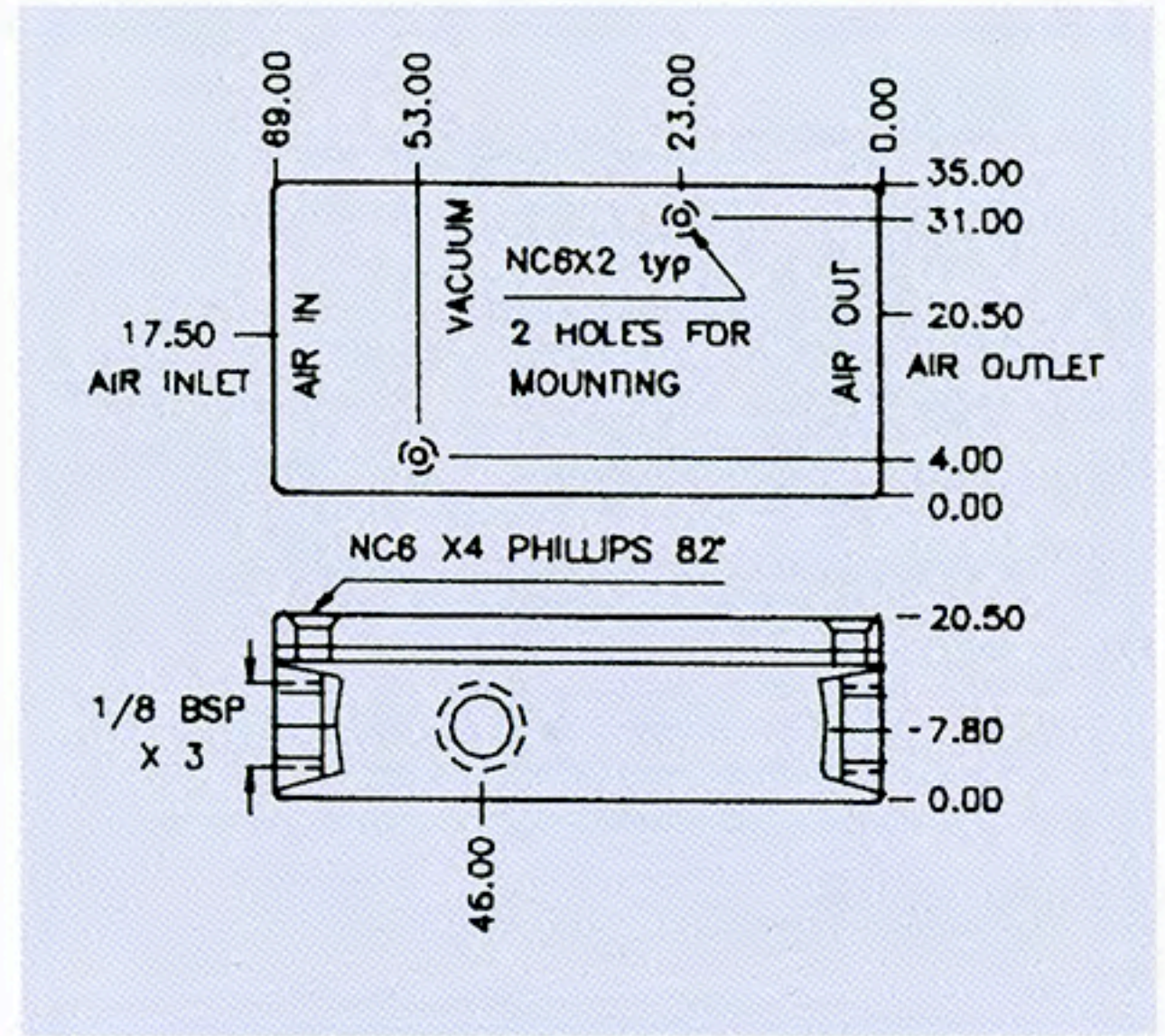


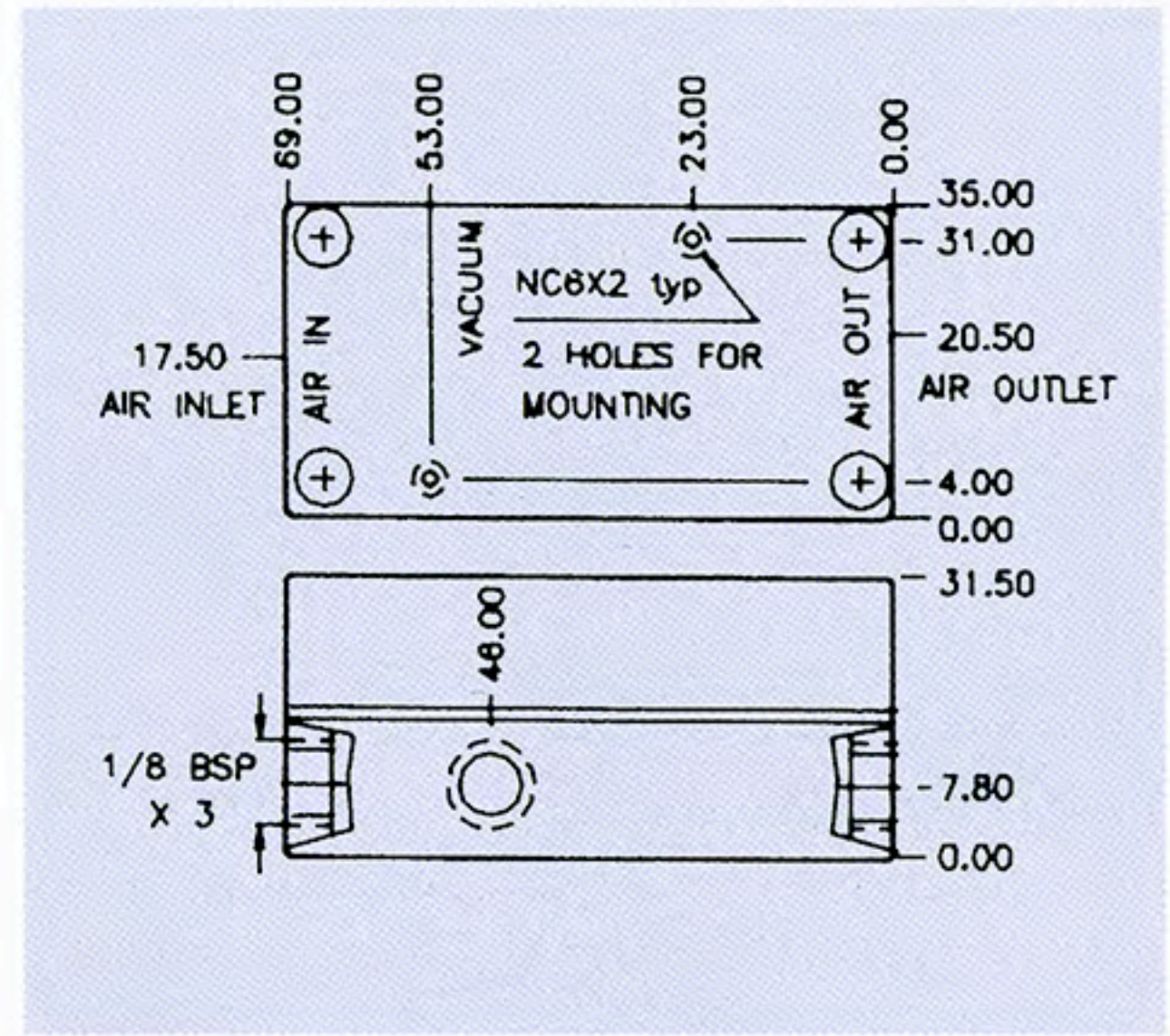
VXM-3 HIGH VACUUM

AIR CONSUMPTION : 24 lit per min at 4 BAR.
WORKING PRESSURE : 4 BAR.
MAX SUPPLY PRESSURE : 7 BAR.
MAX VACUUM : -0.93 ATM at 4 BAR.
MAX VACUUM FLOW : 32 lit per min.
WORKING TEMP. : -20°C + 100°C.
WEIGHT : 95 g.
NOISE LEVEL : 65 db(A) full flow,
 50 db(A) full vacuum.
MATERIALS : Epoxy painted AL, brass,
 silicon rub, neoprene, stainless steel.



VXM-6 HIGH VACUUM

AIR CONSUMPTION : 48 lit per min at 4 BAR.
WORKING PRESSURE : 4 BAR.
MAX SUPPLY PRESSURE : 7 BAR.
MAX VACUUM : -0.93 ATM at 4 BAR.
MAX VACUUM FLOW : 64 lit per min.
WORKING TEMP. : -20°C + 100°C.
WEIGHT : 135 g.
NOISE LEVEL : 65 db(A) full flow,
 50 db(A) full vacuum.
MATERIALS : Epoxy painted AL, brass,
 silicon rub, neoprene, stainless steel.



NOTE:

VXM Pumps are often used for handling materials or clamping small parts. They can be used with several suction cups. Try to minimize the distance between pump and cup.

vacuum	BAR	0.1	0.2	0.3	0.4	0.5	0.6	0.7	0.8	0.9	vacuum	BAR	0	0.1	0.2	0.3	0.4	0.5	0.6	0.7	0.8	0.9
time in sec for evacuation of 1 lit to vac' level	VXM-3	.28	.72	1.5	2.5	3.7	5.3	7.3	13.8	20.4	induced air in lit per min.	VXM-3	32	21	8.5	7.1	6	5.6	3.6	2.4	1	0.35
	VXM-6	.14	.36	.75	1.28	1.9	2.6	3.6	7	10		VXM-6	64	42	17	13	12	9.5	7	5	2	0.7

